



Notification No.: 20140804

Version: 1.0

Page: 1 of 2

Release Date: August 04, 2014

Effective Date: August 04, 2014

Notification Status: Advisory Mandatory Announcement

Classification: Firmware Hardware Policy/Procedure

Description: iPRO-RC Anti-Static Modification

Hardware: iPRO-RC Recycler Assembly

Territory: Countries with Polymer Banknotes

Interface: N/A

Check Sum: N/A

Firmware Version(s): N/A

CRC (seed = 0000): N/A

Condition:

JCM Engineering has received reports of Polymer Banknotes sticking together or adhering to the sides of the iPRO-RC Recycler Assembly.

Resolution:

An investigation by JCM Engineering determined that a static charge accumulates on the Banknotes. To dissipate the static, Anti-Static strips should be applied to the RC Center Guides of both RC bins. The Anti-Static Strips should be applied to Seats A, B, and C, as shown in Figures 1 and 2.

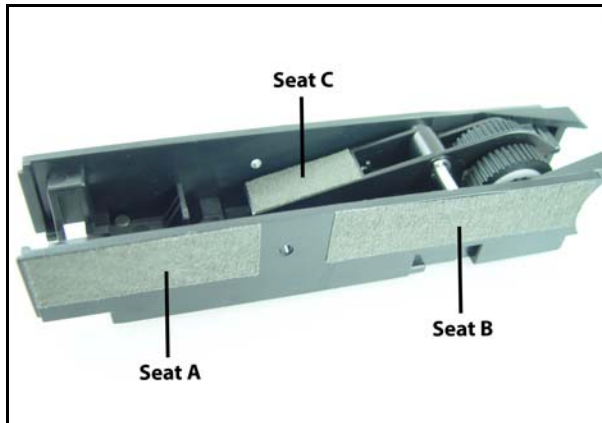


Figure 1: iPRO-RC Centering Guide (Left Side)

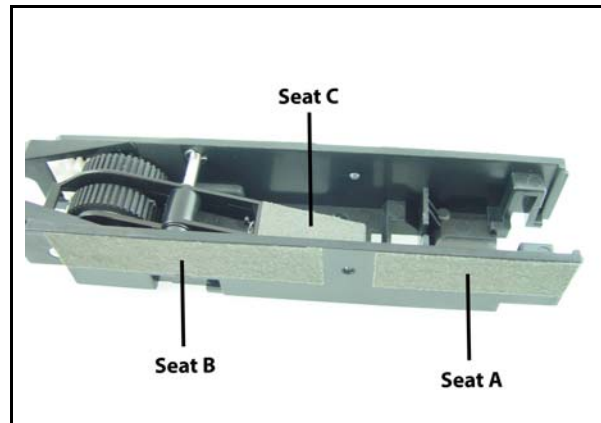


Figure 2: iPRO-RC Centering Guide (Right Side)

(continued on reverse)



Notification No.: 20140804

Version: 1.0

Page: 2 of 2

Release Date: August 04, 2014

Effective Date: August 04, 2014

Notification Status: Advisory Mandatory Announcement

Classification: Firmware Hardware Policy/Procedure

Description: iPRO-RC Anti-Static Modification

Hardware: iPRO-RC Recycler Assembly

Territory: Countries with Polymer Banknotes

Interface: N/A

Check Sum: N/A

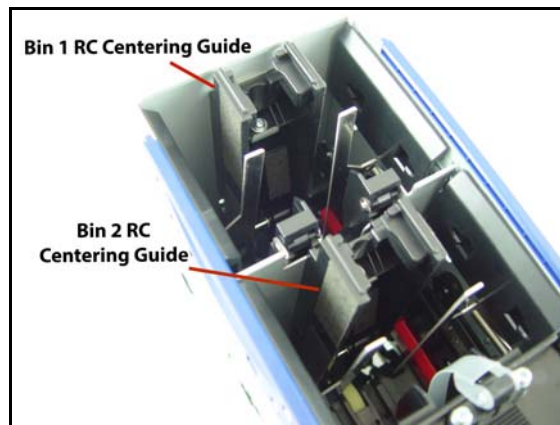
Firmware Version(s): N/A

CRC (seed = 0000): N/A

Resolution (cont'd):

- EDP #221278 - iPRO Anti-Static Strip, Seat A (two required for each RC Centering Guide).
- EDP #221279 - iPRO Anti-Static Strip, Seat B (two required for each RC Centering Guide).
- EDP #221280 - iPRO Anti-Static Strip, Seat C (one required for each RC Centering Guide).

Figure 3 (below) displays the proper installation of the RC Centering Guides in the iPRO-RC chassis. Contact your local JCM Customer Service Representative to arrange for service/repair.



**Figure 3: iPRO-RC Assembly
(Bin 1 & Bin 2 Centering Guides Installed)**

Note:

The intent of this announcement is to accurately reflect information available as of this writing. This information is subject to change without notice. Please contact your local JCM Sales Representative or JCM Customer Service for additional information.